

Aluminium Slats Installation Guide



PREPARATION

1. Check that both sides of the fence can be easily accessed by removing any objects that may restrict this e.g. tree branches.
2. Call Dial Before You Dig on 1100 to locate any underground services (e.g. gas, water & electricity) that may interrupt the process of installing your fence.
3. Check that your fence meets regulations by getting in contact with your local council.

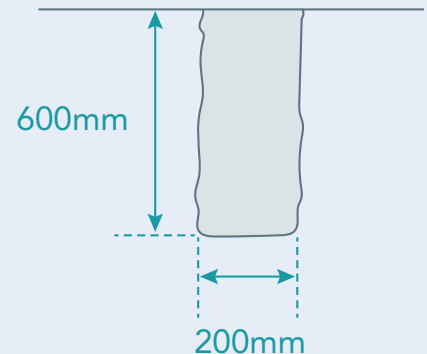
TOOLS

- Electric or cordless drill (preferably with clutch control)
- 5/16 tek socket
- Shovel
- Crowbar
- String line
- Spirit level
- Tape measure
- Pencil
- Wheel barrow
- Hammer
- 5/6 ring & flat spanner
- Cement

All fittings, brackets, hinges and latches required to secure your posts, panels and gates are included in our panel and gate systems.

FITTING YOUR POSTS

- Mark out each end of the fence line, attach a string (ensuring that it is firm with no sag) and using the panel length, mark the position of your posts on the ground. A general guide for your post holes size is 600mm deep x 200mm wide to give your fence plenty of support. If the area is unstable due to fill, it's recommended that you extend the depth of your hole and length of your post to reach natural ground to avoid sinking.
- It's best to start your installation with your gate, that way you can work around the gate and decide the position and width of where you would like your panels.
- Using a spirit level and the string line to ensure its straight and level, stand your gate post in the hole and concrete the post in, making sure you allow approx. 25mm above the panel and 50mm below.
- Repeat this step again with the second gate post, making



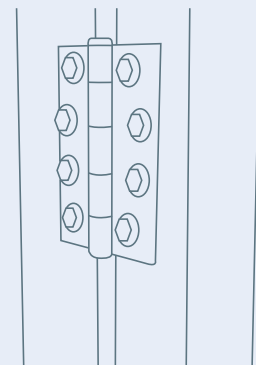
sure that your between post measurements matches that of what you have ordered (refer to your paperwork for the between post measurement).

- You are now ready to begin concreting the remaining posts for the rest of the panels. Beginning with the panel closest to the gate, start concreting in your posts one at a time. It's best to allow your posts to set overnight before fittings gate and fence panels.

FITTING YOUR GATES

- Firstly decide which way you want your gate to swing. Attach a line from one end of the gate to the other. Set it at desired heights (we recommend setting the string line to around 50mm above the height of your gate so you will have a 50mm space below your gate eg. If your gates and panels are 1200mm high the string line will be set at 1250mm high – but it is personal taste)
- Position your hinges to the back of the gate frame, 1 hinge 100mm from the top of the gate and the other hinge 100mm up from the bottom of the gate. To screw hinges to gate, hold the gate in an upright position so it is at the desired height above ground level (you may need to pack under your gate to assist you to hold it in

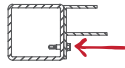
place). Place one tek screw in the top hole of both top and bottom hinges (you don't want to drill in all tek screws in case you have to adjust the gate to make level). Check that your gate swings easily and is level and if you're happy with the position continue on to drill in the remaining teks.



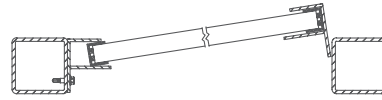
Aluminium Slats Installation Guide

FITTING YOUR PANELS

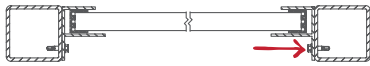
Now for the easy part! Using a string line and the following easy 4 steps install your panels.



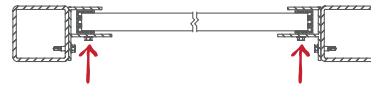
Step 1 - Screw 'F' section to post as indicated at one end only.



Step 2 - Slide 'F' onto other end of panel and pivot into place



Step 3 - Fasten 'F' section to post.



Step 4 - Screw fasteners into the back (long side) of the 'F' section once you have set your panel at finished height.

COMPLETING YOUR FENCE

- Using a rubber or nylon mallet, tap the post caps onto the posts gently and wipe down any metal shavings that have been left on the fence.

CARE & MAINTENANCE

Warm soapy water and a soft brush or rag is all that is required to keep your Stratco fence looking its best.

Once clean, a rinse with fresh water to remove any soap will leave your Stratco fence sparkling.

If you live in a normal rural or suburban area this process should take place every six months.

If located in a coastal or high pollution area it is suggested you perform the above maintenance every 1 - 2 months.

Locks, latches and hinges will benefit from an occasional spray with lubricant.

Fenceance